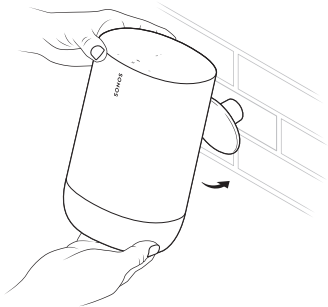


SONOS



**Sonos Wall Hook for Move
Quickstart Guide**

THIS DOCUMENT CONTAINS INFORMATION THAT IS SUBJECT TO CHANGE WITHOUT NOTICE.

No part of this publication may be reproduced or transmitted in any form or by any means, electronic or mechanical, including but not limited to photocopying, recording, information retrieval systems, or computer network without the written permission of Sonos, Inc.

Sonos and all other Sonos product names and slogans are trademarks or registered trademarks of Sonos, Inc. Sonos Reg. U.S. Pat. & Tm. Off.

Sonos products may be protected by one or more patents. Our patent-to-product information can be found here: *sonos.com/legal/patents*.

All other products and services mentioned may be trademarks or service marks of their respective owners.

070120

© 2004-2020 by Sonos, Inc. All rights reserved.

Sonos Wall Hook for Move

- The easy-to-install hook to hang your Sonos Move.
- Supports the weight of your Move and secures it in place.

What's in the box?

- Sonos Wall Hook
- Screw (1)
- Masonry anchor (1)

Note: Sonos products sold separately.

What you'll need

- Pencil
- Phillips-head screwdriver
- Power drill

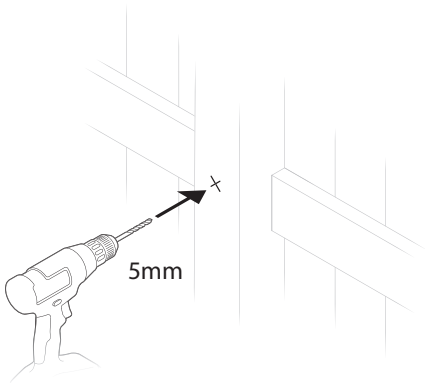
WALL MATERIAL	PRE-DRILL	USE WALL ANCHORS	USE SCREWS
Wood, wood stud	7/32" / 5mm bit	No	Yes
Concrete or Brick	5/16" / 8mm bit	Yes	Yes

Caution: Not designed for installation on drywall or plaster alone.

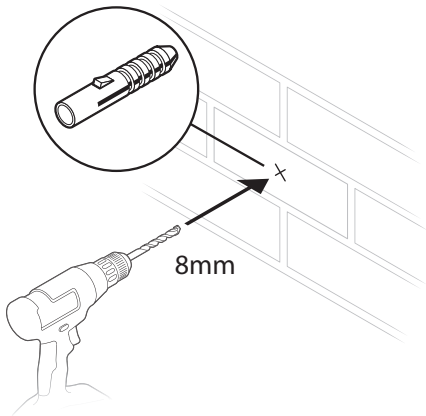
2

Installing the Sonos Wall Hook

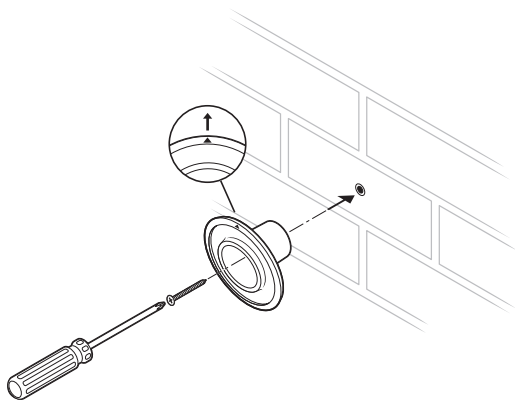
1 (wood, wood stud)

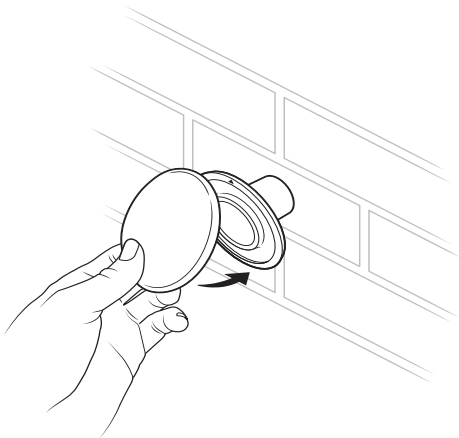


1 (brick, concrete)

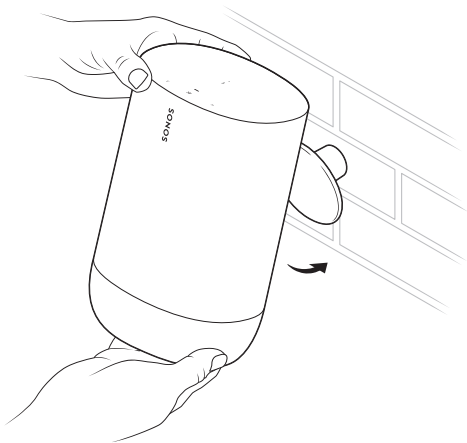


2



3

4



Wall mounting information

WALL MATERIAL	PRE-DRILL	USE WALL ANCHORS	USE SCREWS
Wood, wood stud	7/32" / 5mm bit	No	Yes
Concrete or Brick	5/16" / 8mm bit	Yes	Yes

Caution: Not designed for installation on drywall or plaster alone.

Vejledning til vægmontering

VÆGMATERIALE	FORBORING	BRUG VÆGANKRE	BRUG SKRUER
Træe, træstolpe	med 7/32" / 5mm bit	Nej	Ja
Beton/Mursten	med 5/16" / 8mm bit	Ja	Ja

Advarsel: Ikke designet til montering på væg, der kun er af gips.

Informationen zur Wandmontage

WANDMATERIAL	VORBOHREN	DÜBEL VERWENDEN	SCHRAUBEN VERWENDEN
Holz, holzleichtbau	mit 5-mm-Bit	Nein	Ja
Beton/Ziegelstein	mit 8-mm-Bit	Ja	Ja

Achtung: Nicht zur Montage an einer Trockenbauwand oder an Putz geeignet.

Información sobre soportes de pared

MATERIAL DE PARED	TALADRE PREVIAMENTE	UTILICE ZAPATAS PARA PARED	UTILICE TORNILLOS
Pernos de madera	con broca de 5 mm	No	Sí
Cemento/Ladrillo	con broca de 8 mm	Sí	Sí

Advertencia: no se puede instalar en cartón yeso ni en escayola.

Informations de montage mural

TYPE DE MUR	PRÉ-TROU	UTILISER CHEVILLES	UTILISER VIS
Montant en bois	avec foret 5mm (7/32")	Non	Oui
Ciment/Briques	avec foret 8 mm (5/16")	Oui	Oui

Attention: Non conçu pour être installé sur une cloison sèche ou en plâtre.

Informazioni sul montaggio a parete

MATERIALE PER PARETI	PRE-FORARE	USARE TASSELLI DA MURO	USARE VITI
Parete a montanti in legno	con punta da 5mm(7/32")	No	Si
Cemento/Mattone	con punta da 8mm(5/16")	Si	Si

Attenzione: questo prodotto non è progettato per l'installazione su cartongesso o intonaco senza struttura.

Informatie over wandmontage

SOORT MUUR	VOORBOREN	PLUG	SCHROEF
Houten muur (skeletbouw)	5 mm boor	Nee	Ja
Beton/Baksteen	8 mm boor	Ja	Ja

Let op: Niet ontworpen om te bevestigen aan alleen een stenen muur of pleisterwerk.

veggmonterings informasjonen

VEGGMATERIELL	FORHÅNDSBORING	BRUK VEGGANKERE	UBRUK SKRUER
Stender	med 7/32" (5mm) bor	Nei	Ja
Betong/Murstein	med 5/16" (8mm) bor	Ja	Ja

Forsiktig: Ikke konstruert for installasjon rett på gipsplate eller murpuss.

Informação de montagem

MATERIAL DA PAREDE	PRÉ-PERFURAÇÃO	USAR BUCHAS NA PAREDE	USAR PARAFUSOS
Prego de madeira	com broca de 7/32" (5mm)	Não	Sim
Concreto/Tijolo	com broca de 5/16" (8mm)	Sim	Sim

Atenção: não fixar em parede de drywall ou gesso.

information om väggmontering

VÄGGMATERIAL	FÖRBORRNING	ANVÄND VÄGGANKARE	ANVÄND SKRUVAR
Vertikalregel av trä	med 5 mm borrarpspets	Nej	Ja
Betong/Tegel	med 8 mm borrarpspets	Ja	Ja

Varning: Inte avsedd att monteras direkt på puts eller gipsskiva.

牆壁安裝信息

牆體材料	預鑽孔	是否使用牆壁预埋件	是否使用螺絲
椽骨	7/32" (5 毫米) 钻头	否	是
混凝土 / 磚	5/16" (8 毫米) 钻头	是	是

注意: 无法单独安装在石膏板或者石膏上。

壁取り付け情報

壁面用の材料	事前のドリル	壁面アンカーの使用	ネジの使用
木製間柱	7/32" (5mm) ビット	いいえ	はい
コンクリートま たはレンガ	1/8" (8mm) ビッ ト	はい	はい

注意： 乾式壁や石膏のみへの取付けには適していません。

Informacje dotyczące montażu naściennego

MATERIAL SCIANY	NAWIERCANIE	WYKORZYSTANI E KOLKOW ROZPOROWYCH	WYKORZYSTANIE SRUB
Belki drewniane	Wiertło 5 mm	Nie	Tak
Beton lub cegła	Wiertło 8 mm	Tak	Tak

Przeostroga: Nieprzeznaczone do montażu na płycie gipsowo-kartonowej ani gipsowej.

License Agreement and Limited Warranty (U.S. and rest of world, excluding Europe)

Sonos, Inc.

READ THE TERMS OF THIS LICENSE AGREEMENT AND LIMITED WARRANTY ("AGREEMENT") GOVERNING THE USE OF THE SOFTWARE AND RELATED FIRMWARE AND DOCUMENTATION (COLLECTIVELY, THE "SOFTWARE") PROVIDED TO YOU BY SONOS ("SONOS") CAREFULLY BEFORE USING THE APPLICABLE SONOS PRODUCT (SUCH HARDWARE, TOGETHER WITH THE SOFTWARE, REFERRED TO AS THE "PRODUCT").

BY OPENING THIS PACKAGE, INSTALLING AND USING THE PRODUCT, YOU ARE (1) REPRESENTING THAT YOU ARE OVER THE AGE OF 18, (2) REPRESENTING THAT YOU HAVE THE RIGHT AND AUTHORITY TO LEGALLY BIND YOURSELF OR YOUR COMPANY, AS APPLICABLE, AND (3) CONSENTING TO BE LEGALLY BOUND BY ALL OF THE TERMS OF THIS AGREEMENT. IF YOU DO NOT AGREE TO ALL THESE TERMS OR CANNOT MAKE SUCH REPRESENTATIONS, DO NOT USE THE PRODUCT. IF YOU ELECT NOT TO ACCEPT THE TERMS OF THIS AGREEMENT, YOU MAY RETURN THE NEW, UNUSED PRODUCT WITHIN THIRTY (30) DAYS OF PURCHASE TO THE RETAIL LOCATION WHERE YOU PURCHASED IT, WITH ALL ORIGINAL PACKAGING FOR A FULL REFUND.

1. GRANT OF LICENSE

(a) Subject to the terms and conditions of this Agreement, Sonos grants to You a worldwide, non-exclusive, non-transferable, personal license (without the right to sub-license) to (i) use the Software as embedded in the Product for the purpose of operating the Product, and (ii) use the desktop application portion(s) of the Software on any personal computer owned or controlled by You during the Term. Except as provided above, You may not transfer the Software to any other computing device or otherwise remove the Software from the Product. Notwithstanding any license granted herein by Sonos, You acknowledge and agree that it is Your sole responsibility to comply with U.S. and international copyright laws with respect to Your use of the Software.

(b) You agree not to copy, modify, reverse engineer, decompile or disassemble the Product to the extent that such restriction is not prohibited by law. Except for the limited license granted herein, Sonos and its suppliers hereby retain all right, title and interest in and to all worldwide intellectual property rights embodied in the Software. All other rights are reserved by Sonos. You acknowledge and agree that the technology embedded in and used to create the Product constitute the valuable trade secrets and know-how of Sonos, and to the extent you discover any such trade secrets, You will not disclose them to any third party.

(c) Sonos shall have no obligation to provide any updates or upgrades to the Product, but in the event that it does, such updates, upgrades and any documentation shall be deemed the "Product", and shall be subject to the terms and conditions of this Agreement.

2. TERM OF AGREEMENT

(a) You may terminate this Agreement at any time by notifying Sonos, discontinuing use of the Product and purging the Software from Your computing device.

(b) This Agreement will automatically terminate if You violate any of its terms.

(c) Sections 1(b), 3, 4, 6(c), 7 and 9 shall survive termination or expiration for any reason.

3. COMPLIANCE WITH COPYRIGHT LAWS

Sonos complies with U.S. and international copyright laws and in consideration of the licenses granted herein, You agree to do the same. You acknowledge that unauthorized copying or distribution of music or other content accessed using the Product ("Content") is prohibited by such copyright laws, and You agree that You will not, directly or indirectly, copy or distribute any Content without the express written authorization of the copyright holder. You agree to indemnify and hold harmless Sonos and its licensors from and against any and all claims, suits, losses, damages, liabilities, costs and expenses incurred by Sonos or its licensors arising out of or related to Your failure to comply with the terms of this Section 3.

4. SONOS PRIVACY POLICY

Use of Sonos Products is subject to the Sonos Privacy Policy, which can be found at www.sonos.com/legal/privacy_policy.htm and by reference is made a part of this

Agreement. The Sonos Privacy Policy outlines the type of information that may be collected from you by Sonos and how such information may be used by Sonos. It is important that you read and understand the terms of the Privacy Policy.

5. THIRD PARTY CONTENT AND TECHNOLOGIES SUPPORT

From time to time, Sonos may provide access to third party content providers via the Product. In addition, Sonos may support certain third party technologies, such as specific file formats or codecs. Sonos reserves the right to discontinue access to and/or support for such third party content or technologies at any time, and for any reason. Sonos makes no representations or warranties whatsoever regarding the selection of, or continuing support for, any such third party content or technologies.

6. WARRANTY AND DISCLAIMER

(a) Limited Warranty. Sonos warrants to You that for a period of one (1) year after the date of original purchase of the Product, the Product will be free from defects in materials and workmanship. SONOS DOES NOT WARRANT THAT THE PRODUCT WILL OPERATE WITHOUT INTERRUPTION OR WILL BE ERROR-FREE, OR THAT ALL ERRORS MAY BE CORRECTED. EXCEPT AS SET FORTH IN SECTION 6(C), SONOS' SOLE LIABILITY, AND YOUR SOLE REMEDY, FOR BREACH OF THE FOREGOING WARRANTY WILL BE, AT SONOS' SOLE DISCRETION, REPAIR OR REPLACEMENT OF THE PRODUCT, OR, IF NEITHER OF THE FOREGOING ARE REASONABLY AVAILABLE, A REFUND OF THE AMOUNT YOU PAID, LESS AMOUNTS ATTRIBUTABLE TO YOUR PRIOR USE.

(b) Limitations. The foregoing warranty does not extend to problems in the Product that result from: (i) Your failure to implement all bug fixes or error corrections to the Product which are made available by Sonos; (ii) any use of the Product in a manner for which it was not designed or as not authorized under this Agreement; or (iii) any use of the Product with other products, hardware or products not supplied by, and/or inconsistent with the documentation provided by, Sonos.

(c) Disclaimer. EXCEPT AS EXPRESSLY SET FORTH ABOVE, SONOS MAKES NO WARRANTIES, WHETHER EXPRESS, IMPLIED, STATUTORY OR OTHERWISE, WITH RESPECT TO THE PRODUCT. SONOS AND ITS SUPPLIERS HEREBY SPECIFICALLY DISCLAIM ALL OTHER EXPRESS, STATUTORY AND IMPLIED WARRANTIES AND CONDITIONS, INCLUDING THE IMPLIED WARRANTIES OF

MERCHANTABILITY, FITNESS FOR A PARTICULAR PURPOSE, NON-INFRINGEMENT AND THE IMPLIED CONDITION OF SATISFACTORY QUALITY. EXCEPT AS EXPRESSLY STATED IN SECTION 6(A), THE PRODUCT IS SUPPLIED ON AN "AS IS" BASIS WITHOUT WARRANTY. YOU ASSUME ALL RESPONSIBILITIES FOR SELECTION OF THE PRODUCT TO ACHIEVE YOUR INTENDED RESULTS, AND FOR THE INSTALLATION AND USE OF THE PRODUCT. Some jurisdictions do not allow a limitation on implied warranties, and so the foregoing disclaimer may not apply to You. In any event, any implied warranties that may exist under the laws of Your jurisdiction are limited to the one (1) year period set forth in the limited warranty given under subsection (a) above.

7. LIMITATION OF LIABILITY

(a) TO THE MAXIMUM EXTENT ALLOWED UNDER LAW, IN NO EVENT WILL SONOS OR ITS SUPPLIERS BE LIABLE FOR ANY DAMAGES, INCLUDING BUT NOT LIMITED TO, INCIDENTAL, SPECIAL, CONSEQUENTIAL, EXEMPLARY, OR INDIRECT DAMAGES, AND INCLUDING BUT NOT LIMITED TO, COST OF COVER, LOSS OF DATA, LOSS OF PROFITS, BUSINESS INTERRUPTION, LOSS OF BUSINESS INFORMATION, OR OTHER PECUNIARY LOSS ARISING FROM THE USE OF (OR INABILITY TO USE) THE PRODUCT, NO MATTER HOW CAUSED AND ON ANY THEORY OF LIABILITY. BECAUSE SOME STATES/JURISDICTIONS DO NOT ALLOW THE EXCLUSION OR LIMITATION OF LIABILITY FOR CONSEQUENTIAL OR INCIDENTAL DAMAGES, SOME OF THE ABOVE LIMITATIONS MAY NOT APPLY TO YOU, BUT THEY SHALL APPLY TO THE MAXIMUM EXTENT PERMITTED BY LAW.

(b) IN NO EVENT SHALL SONOS' TOTAL LIABILITY TO YOU FOR ALL DAMAGES IN ANY ONE OR MORE CAUSES OF ACTION EXCEED THE AMOUNT PAID BY YOU FOR THE PRODUCT.

(c) The limitations in Section 7 will apply even if Sonos, its suppliers or dealers have been advised of the possibility of such damage or of any type of use intended by You. These limitations shall apply notwithstanding the failure of essential purpose of any limited remedy. You acknowledge that these limitations reflect a reasonable allocation of risk.

8. INFRINGEMENT INDEMNITY

(a) Indemnity. Sonos shall defend or settle any claim, demand, suit, proceeding or action ("Claim") against You to the extent that such Claim is based on an allegation that any portion of the Product, as furnished to You under this Agreement and used as authorized in this Agreement, infringes any third party's U.S. copyright or misappropriates such third party's trade secrets, provided that You: (i) give prompt written notice of the Claim to Sonos; (ii) give Sonos the exclusive authority to control and direct the defense or settlement of such Claim; and (iii) give Sonos, at Sonos' expense (except for the value of Your time), all necessary information and assistance with respect to the Claim. Sonos shall pay all settlement amounts, damages and costs finally awarded to the extent attributable to such Claim. You may participate in the defense of Claim at Your expense. Sonos will not be liable for any costs or expenses incurred without its prior written authorization.

(b) Limit on Indemnity. The foregoing notwithstanding, Sonos shall have no liability for a Claim to the extent based on: (i) the use by You of any Product more than thirty (30) days after Sonos notifies You in writing that continued use of the Product may give rise to such Action; (ii) the combination of the Product, or any part thereof, with other hardware or products not provided by Sonos, which Claim would have been avoided if the Products had not been so combined; or (iii) use of the Products other than as authorized under this Agreement.

(c) Entire Liability. THE FOREGOING PROVISIONS OF THIS SECTION 8 STATE THE ENTIRE LIABILITY AND OBLIGATIONS OF SONOS, AND YOUR EXCLUSIVE REMEDY, WITH RESPECT TO ANY ACTUAL OR ALLEGED INFRINGEMENT OF OR MISAPPROPRIATION OF ANY INTELLECTUAL PROPERTY RIGHT BY THE PRODUCT.

9. MISCELLANEOUS

You acknowledge that the Product is subject to the export control law and regulations of the United States, and any amendments thereto. You warrant that You will comply in all respects with United States exports laws and regulations. This Agreement shall be governed by the laws of the State of California, without reference to its conflict of law principles. You consent to the jurisdiction of the federal and state courts sitting in the State of California. This Agreement constitutes the entire

agreement between You and Sonos with respect to the subject matter hereof, and supersedes all prior oral or written understandings, communications or agreements not specifically incorporated herein. If any provision of this Agreement is found to be invalid or unenforceable pursuant to judicial decree or decision, the remainder of this Agreement shall remain valid and enforceable according to its terms. You may not assign this Agreement, or any of its rights or obligations hereunder, whether by operation of law or otherwise, without the prior written consent of Sonos. Any attempted assignment by You without prior written consent shall be void.

For inquiries or questions regarding this Agreement, please send an e-mail to support@sonos.com or call (800) 680-2345.

License Agreement and Limited Warranty (Europe)

Sonos Europe B.V.
Schuttersweg 10
1217 PZ Hilversum
The Netherlands

Sonos, Inc.

READ THE TERMS OF THIS LICENSE AGREEMENT AND LIMITED WARRANTY ("AGREEMENT") GOVERNING THE USE OF THE SOFTWARE AND RELATED FIRMWARE AND DOCUMENTATION (COLLECTIVELY, THE "SOFTWARE") PROVIDED TO YOU BY SONOS EUROPE B.V. ("SONOS") CAREFULLY BEFORE BUYING THE APPLICABLE SONOS PRODUCT (SUCH HARDWARE, TOGETHER WITH THE SOFTWARE, REFERRED TO AS THE "PRODUCT").

BY PURCHASING THE PRODUCT, YOU ARE (1) REPRESENTING THAT YOU ARE OVER THE AGE OF 18, (2) REPRESENTING THAT YOU HAVE THE RIGHT AND AUTHORITY TO LEGALLY BIND YOURSELF OR YOUR COMPANY, AS APPLICABLE, AND (3) CONSENTING TO BE LEGALLY BOUND BY ALL OF THE TERMS OF THIS AGREEMENT. IF YOU DO NOT AGREE TO ALL THESE TERMS OR CANNOT MAKE SUCH REPRESENTATIONS, DO NOT PURCHASE THE PRODUCT.

1. GRANT OF LICENSE

(a) Subject to the terms and conditions of this Agreement, Sonos grants to You a worldwide, non-exclusive, non-transferable, personal license (without the right to sub-license) to (i) use the Software as embedded in the Product for the purpose of operating the Product, and (ii) use the desktop application portion(s) of the Software on any personal computer owned or controlled by You during the Term. You may not transfer the Software to any other computing device or otherwise remove the Software from the Product. Notwithstanding any license granted herein by Sonos, You acknowledge and agree that it is Your sole responsibility to comply with U.S. and international copyright laws with respect to Your use of the Software.

(b) You agree not to copy, modify, reverse engineer, decompile or disassemble the Product to the extent that such restriction is not prohibited by applicable mandatory law. Except for the limited license granted herein, Sonos and its suppliers hereby retain all right, title and interest in and to all worldwide intellectual property rights embodied in the Software. All other rights are reserved by Sonos. You acknowledge and agree that the technology embedded in and used to create the Product constitute the valuable trade secrets and know-how of Sonos, and to the extent You discover any such trade secrets, You will not disclose them to any third party.

(c) Sonos shall have no obligation to provide any updates or upgrades to the Product, but in the event that it does, such updates, upgrades and any documentation shall be deemed the "Product", and shall be subject to the terms and conditions of this Agreement.

2. TERM OF AGREEMENT

(a) You may terminate this Agreement at any time by notifying Sonos, discontinuing use of the Product and purging the Software from Your computing device.

(b) This Agreement will automatically terminate if You violate Section 1 and/or 3 of this Agreement.

(c) Sections 1(b), 2(c), 3, 6(c), 7 and 9 shall survive termination or expiration for any reason.

3. COMPLIANCE WITH COPYRIGHT LAWS

Sonos complies with U.S. and international copyright laws and in consideration of the licenses granted herein, You agree to do the same. You acknowledge that unauthorized copying or distribution of music or other content accessed using the Product ("Content") is prohibited by such copyright laws, and You agree that You will not, directly or indirectly, copy or distribute any Content without the express written authorization of the copyright holder. Further, You agree to compensate Sonos and its licensors for all losses, damages, liabilities, costs and expenses incurred by Sonos or its licensors as a result of claims or actions brought against Sonos or its licensors arising out of or related to Your failure to comply with the terms of this Section 3.

4. SONOS PRIVACY POLICY

Use of Sonos Products is subject to the Sonos Privacy Policy, which can be found at www.sonos.com/legal/privacy_policy.htm and by reference is made a part of this Agreement. The Sonos Privacy Policy outlines the type of information that may be collected from you by Sonos and how such information may be used by Sonos. It is important that you read and understand the terms of the Privacy Policy.

5. THIRD PARTY CONTENT AND TECHNOLOGIES SUPPORT

From time to time, Sonos may provide access to third party content providers via the Product. In addition, Sonos may support certain third party technologies, such as specific file formats or codecs. Sonos reserves the right to discontinue access to and/or support for such third party content or technologies at any time, and for any reason. Sonos makes no representations or warranties whatsoever regarding the selection of, or continuing support for, any such third party content or technologies.

6. WARRANTY AND DISCLAIMER

(a) Limited Warranty. Sonos warrants to You that, for a period of two (2) years after the date of original purchase of the Product, the Product will be free from defects in materials and workmanship. SONOS DOES NOT WARRANT THAT THE PRODUCT WILL OPERATE WITHOUT INTERRUPTION OR WILL BE ERROR-FREE, OR THAT ALL ERRORS MAY BE CORRECTED. IF YOU ARE A CONSUMER, THIS WARRANTY IS IN ADDITION TO AND DOES NOT AFFECT YOUR STATUTORY RIGHTS. EXCEPT AS SET FORTH IN SECTION 6(C) AND SUBJECT TO ANY

MANDATORY CONSUMER PROTECTION LAWS TO THE CONTRARY, SONOS SOLE LIABILITY, AND YOUR SOLE REMEDY, FOR BREACH OF THE FOREGOING WARRANTY WILL BE REPAIR OR REPLACEMENT OF THE PRODUCT, OR, IF NEITHER OF THE FOREGOING ARE REASONABLY AVAILABLE, A REFUND OF THE AMOUNT YOU PAID, LESS AMOUNTS ATTRIBUTABLE TO YOUR PRIOR USE.

(b) Limitations. The foregoing warranty does not extend to problems in the Product to the extent that such results from: (i) Your failure to implement all bug fixes or error corrections to the Product which are made available by Sonos; (ii) any use of the Product in a manner for which it was not designed or as not authorized under this Agreement; or (iii) any use of the Product with other products, hardware or products not supplied by, and/or inconsistent with the documentation provided by, Sonos.

(c) Disclaimer. EXCEPT AS EXPRESSLY SET FORTH ABOVE, SONOS MAKES NO WARRANTIES, WHETHER EXPRESS, IMPLIED, STATUTORY OR OTHERWISE, WITH RESPECT TO THE PRODUCT. SONOS AND ITS SUPPLIERS HEREBY SPECIFICALLY DISCLAIM ALL OTHER EXPRESS, STATUTORY AND IMPLIED WARRANTIES AND CONDITIONS, INCLUDING THE IMPLIED WARRANTIES OF MERCHANTABILITY, FITNESS FOR A PARTICULAR PURPOSE, NON-INFRINGEMENT AND THE IMPLIED CONDITION OF SATISFACTORY QUALITY. EXCEPT AS EXPRESSLY STATED IN SECTION 6(A), THE PRODUCT IS SUPPLIED ON AN "AS IS" BASIS WITHOUT WARRANTY. YOU ASSUME ALL RESPONSIBILITIES FOR SELECTION OF THE PRODUCT TO ACHIEVE YOUR INTENDED RESULTS, AND FOR THE INSTALLATION AND USE OF THE PRODUCT. SOME JURISDICTIONS DO NOT ALLOW A LIMITATION ON IMPLIED WARRANTIES, AND SO, PARTICULARLY IF YOU ARE A CONSUMER, THE FOREGOING DISCLAIMER MAY NOT APPLY TO YOU. In any event, to the extent permitted under the laws of Your jurisdiction, any implied warranties that may exist under the laws of Your jurisdiction are limited to the two (2) year period set forth in the limited warranty given under subsection (a) above.

7. LIMITATION OF LIABILITY

(a) TO THE MAXIMUM EXTENT ALLOWED UNDER LAW, IN NO EVENT WILL SONOS OR ITS SUPPLIERS BE LIABLE FOR ANY INCIDENTAL, SPECIAL,

CONSEQUENTIAL, EXEMPLARY, OR INDIRECT DAMAGES, AND INCLUDING BUT NOT LIMITED TO, COST OF COVER, LOSS OF DATA, LOSS OF PROFITS, BUSINESS INTERRUPTION, LOSS OF BUSINESS INFORMATION, OR OTHER PECUNIARY LOSS ARISING FROM THE USE OF (OR INABILITY TO USE) THE PRODUCT, NO MATTER HOW CAUSED AND ON ANY THEORY OF LIABILITY.

(b) IN NO EVENT SHALL SONOS' TOTAL LIABILITY TO YOU FOR ALL DAMAGES IN ANY ONE OR MORE CAUSES OF ACTION EXCEED THE AMOUNT PAID BY YOU FOR THE PRODUCT UNLESS OTHERWISE REQUIRED BY LAW.

(c) The limitations in Section 7 will apply even if Sonos, its suppliers or dealers have been advised of the possibility of such damage or of any type of use intended by You. These limitations shall apply notwithstanding the failure of essential purpose of any limited remedy. You acknowledge that these limitations reflect a reasonable allocation of risk.

(d) The limitations in this section 7 shall not apply to damage resulting from willful misconduct or gross negligence on the part of Sonos. The limitations of section 7 shall further not apply to damage resulting from loss of life or personal injury caused by willful misconduct or negligence or breach of contract by Sonos or its directors or any third party Sonos has used to fulfill its contractual obligations towards You. With regard to product liability, the limitations in this section 7 shall only apply to the extent permitted by mandatory rules regarding product liability.

(e) The limitations in this section 7 shall not affect your statutory rights as a consumer.

8. INFRINGEMENT INDEMNITY

(a) Indemnity. Sonos shall defend or settle any claim, demand, suit, proceeding or action ("Claim") against You to the extent that such Claim is based on an allegation that any portion of the Product, as furnished to You under this Agreement and used as authorized in this Agreement, infringes any third party's copyright or misappropriates such third party's trade secrets, provided that You: (i) give prompt written notice of the Claim to Sonos; (ii) give Sonos the exclusive authority to control and direct the defense or settlement of such Claim; and (iii) give Sonos, at Sonos' expense (except for the value of Your time), all necessary information and assistance with respect to the Claim. Sonos shall pay all settlement amounts, damages and

costs finally awarded to the extent attributable to such Claim. You may participate in the defense of Claim at Your expense. Sonos will not be liable for any costs or expenses incurred without its prior written authorization.

(b) Limit on Indemnity. The foregoing notwithstanding, Sonos shall have no liability for a Claim to the extent based on: (i) the use by You of any Product more than thirty (30) days after Sonos notifies You in writing that continued use of the Product may give rise to such Action and offers, in return for You ceasing all further use of the Product, to refund the price paid by You for the Product less amounts attributable to Your prior use; (ii) the combination of the Product, or any part thereof, with other hardware or products not provided by Sonos, which Claim would have been avoided if the Products had not been so combined; or (iii) use of the Products other than as authorized under this Agreement.

(c) Entire Liability. THE FOREGOING PROVISIONS OF THIS SECTION 8 STATE THE ENTIRE LIABILITY AND OBLIGATIONS OF SONOS, AND YOUR EXCLUSIVE REMEDY, WITH RESPECT TO ANY ACTUAL OR ALLEGED INFRINGEMENT OF OR MISAPPROPRIATION OF ANY INTELLECTUAL PROPERTY RIGHT BY THE PRODUCT.

9. MISCELLANEOUS

You acknowledge that the Product may be subject to the export control law and regulations of the jurisdiction in which You purchased the Product and you warrant that You will comply in all respects with such laws and regulations. This Agreement shall be governed by the laws of the Netherlands, without reference to its conflict of law principles, The United Nations Convention on contracts for the International sale of goods is not applicable to this Agreement. This Agreement constitutes the entire agreement between You and Sonos with respect to the subject matter hereof, and supersedes all prior oral or written understandings, communications or agreements not specifically incorporated herein. If any provision of this Agreement is found to be invalid or unenforceable pursuant to judicial decree or decision, the remainder of this Agreement shall remain valid and enforceable according to its terms. You may not assign this Agreement, or any of its rights or obligations hereunder, whether by operation of law or otherwise, without the prior written consent of Sonos, which

consent shall not, if You are a consumer, be unreasonably refused. Any attempted assignment by You without prior written consent shall be void.

For inquiries or questions regarding this Agreement, please send an e-mail to support@sonos.com.

Contrat de licence et garantie limitée. (Aux États-Unis et dans le reste du monde, à l'exception de l'Europe)

Sonos, Inc.

LISEZ ATTENTIVEMENT LES TERMES DE CE CONTRAT DE LICENCE ET DE CETTE GARANTIE LIMITÉE (« CONTRAT ») RÉGISSANT L'UTILISATION DU LOGICIEL AINSI QUE DU PROGICIEL ET DE LA DOCUMENTATION ASSOCIÉS (COLLECTIVEMENT, LE « LOGICIEL »), QUI VOUS SONT FOURNIS PAR SONOS (« SONOS ») AVANT D'UTILISER LE PRODUIT SONOS APPLICABLE (MATÉRIEL QUI, AVEC LE LOGICIEL, EST CONSIDÉRÉ COMME LE « PRODUIT »).

EN OUVRANT CET EMBALLAGE, EN INSTALLANT ET EN UTILISANT LE PRODUIT, VOUS (1) DÉCLAREZ QUE VOUS AVEZ PLUS DE 18 ANS, VOUS (2) DÉCLAREZ QUE VOUS AVEZ LE DROIT DE VOUS ENGAGER OU D'ENGAGER VOTRE SOCIÉTÉ LÉGALEMENT LE CAS ÉCHÉANT ET VOUS (3) CONSENTEZ À ÊTRE LÉGALEMENT ENGAGÉ PAR TOUS LES TERMES DE CE CONTRAT. SI VOUS N'ACCEPTÉZ PAS TOUS CES TERMES OU SI VOUS NE REMPLISSEZ PAS CES CRITÈRES, N'UTILISEZ PAS LE PRODUIT. SI VOUS CHOISISSEZ DE NE PAS ACCEPTER LES TERMES DE CE CONTRAT, VOUS POUVEZ RETOURNER LE PRODUIT NEUF ET INUTILISÉ AU MAGASIN OÙ VOUS L'AVEZ ACHETÉ DANS UN DÉLAI DE TRENTE (30) JOURS APRÈS L'ACHAT, AVEC SON EMBALLAGE D'ORIGINE POUR UN REMBOURSEMENT INTÉGRAL.

1. ATTRIBUTION DE LICENCE

(a) Selon les termes et conditions de ce contrat, Sonos vous accorde une licence personnelle non-transférable, non-exclusive et mondiale (sans droit de sous-licence) pour (i) utiliser le logiciel lorsqu'il est intégré au produit afin de faire fonctionner ce dernier et pour (ii) utiliser la ou les parties d'application de bureau du logiciel sur un ordinateur personnel dont vous êtes propriétaire ou que vous contrôlez durant la

période. Sauf disposition contraire ci-dessus, vous ne pouvez pas transférer le logiciel vers un autre périphérique informatique, ni le supprimer du produit. En dépit de toute licence accordée ici par Sonos, vous assumez et acceptez qu'il est de votre seule responsabilité de satisfaire aux lois de copyright internationales et des États-Unis d'après votre utilisation du logiciel.

(b) Vous acceptez de ne pas copier, modifier, faire de l'ingénierie inverse, décompiler ou désassembler le produit dans la mesure où une telle restriction n'est pas prohibée par la loi. Sauf pour la licence limitée accordée ici, Sonos et ses fournisseurs conservent par le présent document tous les droits, habilitations et intérêts sur tous les droits de propriété intellectuelle mondiaux incorporés au logiciel. Tous les autres droits sont réservés par Sonos. Vous reconnaissez et acceptez que la technologie intégrée au produit et utilisée pour le créer représente les secrets industriels et le savoir-faire de Sonos et que si vous veniez à découvrir l'un de ses secrets, vous ne le divulgueriez à aucun tiers.

(c) Sonos n'a aucune obligation à fournir des mises à jour ou mises à niveau pour le produit, mais si elle le fait, ces mises à jour, mises à niveau et toute documentation doivent être dignes du « produit » et doivent être soumises aux termes et conditions de ce contrat.

2. DURÉE DU CONTRAT

(a) Vous pouvez rompre ce contrat à tout moment en informant Sonos, en arrêtant d'utiliser le produit et en supprimant le logiciel de votre périphérique informatique.

(b) Ce contrat se terminera automatiquement si vous en violez la moindre clause.

(c) Les sections 1(b), 3, 4, 6(c), 7 et 9 survivront au terme ou à l'expiration du présent contrat, quelle que soit la raison.

3. RESPECT DES LOIS DE COPYRIGHT

Sonos satisfait aux règles de copyright internationales et des États-Unis et, conformément aux licences accordées ici, vous acceptez d'en faire de même. Vous reconnaissez que la copie ou la distribution illégale de musique ou de tout autre contenu auquel vous accédez à l'aide du produit (« Contenu ») est interdite par ces lois de copyright et vous acceptez de ne pas copier ou distribuer, directement ou indirectement, du contenu sans l'autorisation écrite expresse du propriétaire des droits. Vous acceptez d'indemniser et de dédommager Sonos et ses licenciés de

toutes les réclamations, procès, pertes, dommages, responsabilités, coûts et dépenses qu'ils pourraient encourir à la suite de votre manquement à satisfaire les termes de cette section 3.

4. POLITIQUE DE CONFIDENTIALITÉ DE SONOS

L'utilisation des produits Sonos est soumise à la politique de confidentialité de Sonos disponible à l'adresse www.sonos.com/legal/privacy_policy.htm et qui, par cette référence, devient une partie intégrante de ce contrat. Cette politique de confidentialité de Sonos décrit le type d'informations que Sonos peut vous demander et la façon dont ces informations peuvent être utilisées par Sonos. Il est donc important que vous lisiez et compreniez les conditions de cette politique de confidentialité.

5. PRISE EN CHARGE DE TECHNOLOGIES ET DE CONTENUS TIERS

Parfois, Sonos pourra fournir l'accès à des fournisseurs de contenu tiers via le Produit. De plus, Sonos pourra prendre en charge certaines technologies tierces, telles que des formats de fichiers ou codecs spécifiques. Sonos se réserve le droit d'interrompre, à tout moment et pour quelque raison que ce soit, la prise en charge et/ou l'accès à ces technologies ou contenus tiers. Sonos n'engage aucune responsabilité, ni garantie d'aucune sorte en ce qui concerne le choix de ces technologies ou contenus tiers ou le maintien de leur prise en charge.

6. GARANTIE ET CLAUSE DE NON-RESPONSABILITÉ

(a) Garantie limitée. Sonos vous garantit pendant une période d'un (1) an à compter de la date originale d'achat du produit que ce dernier est exempt de défauts de matière et de fabrication. SONOS NE GARANTIT PAS QUE LE PRODUIT FONCTIONNERA SANS INTERRUPTION OU SANS ERREUR, NI QUE TOUTES LES ERREURS POURRONT ÊTRE CORRIGÉES. À L'EXCEPTION DES STIPULATIONS EXPRESSES DE LA SECTION 6(C), LA SEULE RESPONSABILITÉ DE SONOS, ET VOTRE SEUL RECOURS, EN SITUATION DE RUPTURE DE LA GARANTIE PRÉCITÉE, SERA, À LA SEULE DISCRÉTION DE SONOS, DE PROCÉDER À LA RÉPARATION OU AU REMPLACEMENT DU PRODUIT OU, SI AUCUNE DES SOLUTIONS PRÉCITÉES N'EST POSSIBLE, AU REMBOURSEMENT DU

MONTANT QUE VOUS AVEZ PAYÉ, DÉDUCTION FAITE DES SOMMES ÉQUIVALANT À VOTRE UTILISATION PRÉALABLE.

(b) Limitations. La garantie susmentionnée ne s'étend pas aux problèmes du produit résultant de : (i) votre manquement à implémenter au produit tous les correctifs de bogues ou d'erreurs rendus disponibles par Sonos ; (ii) toute utilisation du produit d'une façon pour laquelle il n'a pas été conçu ou qui n'est pas autorisée par ce contrat ; ou (iii) toute utilisation du produit avec d'autres produits, matériel ou produits non fournis par Sonos et/ou incohérents avec la documentation fournie par Sonos.

(c) Clause de non-responsabilité. À L'EXCEPTION DES STIPULATIONS EXPRESSES CI-DESSUS, SONOS NE CONFÈRE AU PRODUIT AUCUNE GARANTIE, QUE CE SOIT EXPLICITE, IMPLICITE, LÉGALE OU AUTRE. SONOS ET SES FOURNISSEURS DÉCLINENT EXPRESSÉMENT PAR LA PRÉSENTE TOUTES AUTRES GARANTIES ET CONDITIONS EXPLICITES, LÉGALES ET IMPLICITES, INCLUANT LES GARANTIES TACITES DE QUALITÉ MARCHANDE, D'APTITUDE À UN EMPLOI PARTICULIER, DE NON-CONTREFAÇON ET LA CONDITION IMPLICITE DE QUALITÉ SATISFAISANTE. À L'EXCEPTION DES INDICATIONS EXPRESSES DE LA SECTION 6(A), LE PRODUIT EST FOURNI « TEL QUEL » SANS GARANTIE. VOUS ASSUMEZ TOUTES LES RESPONSABILITÉS LIÉES AU CHOIX DU PRODUIT POUR ATTEINDRE LES OBJECTIFS VISÉS AINSI QU'À L'INSTALLATION ET À L'UTILISATION DU PRODUIT. Certains ressorts géographiques n'autorisent aucune limitation relative aux garanties implicites. Il est donc possible que la clause de non-responsabilité précédente ne s'applique pas à vous. Quoi qu'il en soit, toute garantie implicite susceptible d'exister en vertu de la législation de votre ressort géographique est limitée à la période d'un (1) an stipulée dans la garantie limitée énoncée à la sous-section (a) ci-dessus.

7. LIMITATION DE RESPONSABILITÉ

(a) DANS LES LIMITES AUTORISÉES PAR LA LOI, SONOS OU SES FOURNISSEURS NE SERONT EN AUCUN CAS RESPONSABLES DES DOMMAGES INCLUANT, SANS TOUTEFOIS S'Y LIMITER, LES DOMMAGES ACCESSOIRES, SPÉCIAUX, CONSÉCUTIFS, EXEMPLAIRES OU INDIRECTS, ET INCLUANT, SANS TOUTEFOIS S'Y LIMITER, LES COÛTS DE GARANTIE, LES

PERTES DE DONNÉES, LES PERTES DE BÉNÉFICES, LES PERTES D'EXPLOITATION, LES PERTES D'INFORMATIONS COMMERCIALES OU TOUTES AUTRES PERTES PÉCUNIAIRES RÉSULTANT DE L'UTILISATION (OU DE L'IMPOSSIBILITÉ D'UTILISATION) DU PRODUIT, QUELLES QU'EN SOIENT LA CAUSE ET LA THÈSE DE RESPONSABILITÉ INVOQUÉE. PARCE QUE CERTAINS ÉTATS/CERTAINES JURIDICTIONS N'AUTORISENT PAS L'EXCLUSION OU LA LIMITATION DE RESPONSABILITÉ POUR LES DOMMAGES CONSÉCUTIFS OU ACCESSOIRES, CERTAINES DES LIMITATIONS CI-DESSUS PEUVENT NE PAS S'APPLIQUER À VOUS, MAIS ELLES S'APPLIQUERONT DANS LA MESURE MAXIMALE AUTORISÉE PAR LA LOI.

(b) EN AUCUN CAS, LA RESPONSABILITÉ TOTALE DE SONOS ENVERS VOUS POUR TOUS LES DOMMAGES INHÉRENTS À UNE OU PLUSIEURS CAUSES D'ACTION N'EXCÉDERA LE PRIX QUE VOUS AVEZ PAYÉ À L'ACHAT DU PRODUIT.

(c) Les limitations stipulées à la section 7 s'appliqueront même si Sonos, ses fournisseurs ou distributeurs ont été informés de la possibilité de ce genre de dommages ou de tout type d'usage envisagé par vous. Ces limitations s'appliqueront nonobstant le manque de but essentiel de tout recours limité. Vous reconnaissez que ces limitations reflètent une part de risque raisonnable.

8. INDEMNITÉ DE CONTREFAÇON

(a) Indemnité. Sonos justifiera ou s'acquittera de toute réclamation, demande, litige, procédure ou action (« réclamation ») contre vous dans la mesure où cette réclamation repose sur une allégation selon laquelle une partie du produit, tel qu'il vous a été fourni dans le cadre de ce contrat et utilisé selon les conditions de ce contrat, viole le copyright américain d'un tiers ou détourne les secrets industriels de ce tiers, à condition que vous : (i) avertissiez Sonos rapidement par écrit de la réclamation ; (ii) accordiez à Sonos le droit exclusif de contrôler et de mener la défense ou le règlement de cette réclamation ; et (iii) fournissiez à Sonos, aux frais de Sonos (à l'exception du temps passé), toutes les informations et l'aide nécessaires pour cette réclamation. Sonos paiera tous les montants, dommages et coûts finalement encourus dans la mesure attribuable à une telle réclamation. Vous pouvez

participer à la défense de votre réclamation, à vos frais. Sonos ne sera en aucun cas responsable des coûts et dépenses encourus sans son autorisation écrite préalable.

(b) Limite d'indemnité. En dépit des informations susmentionnées, Sonos ne sera en aucun cas responsable d'une réclamation reposant sur : (i) votre utilisation d'un produit plus de trente (30) jours après que Sonos vous a averti par écrit qu'une utilisation continue du produit peut provoquer une telle action ; (ii) la combinaison du produit, ou d'une de ses parties, avec un autre matériel ou avec des produits non fournis par Sonos, entraînant une réclamation qui aurait été évitée si les produits n'avaient pas été combinés ainsi ; ou (iii) l'utilisation d'autres produits que ceux autorisés par ce contrat.

(c) Responsabilité complète. LES DISPOSITIONS SUSMENTIONNÉES DE CETTE SECTION 8 STIPULENT LA RESPONSABILITÉ COMPLÈTE ET LES OBLIGATIONS DE SONOS ET VOTRE RECOURS EXCLUSIF PAR RAPPORT À TOUTE CONTREFAÇON OU DÉTOURNEMENT RÉEL OU PRÉSUMÉ D'UN DROIT DE PROPRIÉTÉ INTELLECTUELLE PAR LE PRODUIT.

9. DIVERS

Vous admettez que le produit peut être soumis aux réglementations et aux lois de contrôle des exportations des États-Unis et à tout amendement qui puisse y être apporté. Vous assurez que vous vous conformerez en tous points aux lois et réglementations des États-Unis en matière d'exportation. Ce contrat sera régi par la législation de l'État de Californie, sans référence à ses principes de conflits de lois. Vous acceptez la compétence de la juridiction des cours fédérales et d'État de l'État de Californie. Le présent contrat constitue le contrat complet entre vous et Sonos en ce qui concerne l'objet de celui-ci et remplace l'ensemble des accords, communications ou contrats oraux ou écrits précédents qui ne sont pas spécifiquement intégrés ici. Si une disposition de ce contrat s'avère non valide ou non applicable suite à un décret ou à une décision judiciaire, le reste de ce contrat restera valide et applicable conformément à ses termes. Vous ne pouvez céder ce contrat, ni l'un de ses droits ou obligations, par une opération de loi ou un autre moyen, sans le consentement écrit préalable de Sonos. Toute tentative de cession de votre part sans consentement écrit préalable sera considérée comme nulle et non avenue.

Pour toute question relative à ce contrat, veuillez envoyer un message à l'adresse support@sonos.com ou composer le (800) 680-2345.

Sonos Australia

Our goods come with guarantees that cannot be excluded under the Australian Consumer Law. You are entitled to a replacement or refund for a major failure and compensation for any other reasonably foreseeable loss or damage. You are also entitled to have the goods repaired or replaced if goods fail to be of acceptable quality and the failure does not amount to a major failure.

In the event you require assistance with your product during or after the 12 month warranty period, please contact your place of purchase, or alternatively contact Sonos Australia Pty Ltd via phone or email to obtain an RMA (Return Merchandise Authorisation). Please ensure an RMA is obtained prior to returning any faulty units to Sonos Australia Pty Ltd.

SONOS AUSTRALIA PTY LTD
378 Burwood Highway
Burwood East, Vic 3151
p. 1800 680 234
support@sonos.com.au

PLAYBACK SYSTEMS NEW ZEALAND
p. 06 833 6925
support@playback.co.nz

许可协议和有限保修

购买适用的 Sonos 产品（此类硬件和软件统称为“产品”）之前，请仔细阅读北京搜诺思科技有限公司（“SONOS”）提供的许可协议和有限保修（以下简称“协议”）的条款，其中就软件以及相关固件和文档（统称为“软件”）的使用作出了规定。

购买此产品，即表示：(1) 您已年满 18 周岁；(2) 您有权合法约束自身或您所在公司（如果适用）的行为；以及 (3) 同意遵守本协议的所有条款。如果您不完全同意这些条款或无法作出此类陈述，则请勿购买此产品。

1. 许可证的授予

(a) 根据本协议的条款和条件，Sonos 将授予您全球范围适用、非排他、不可转让的个人许可证（不得转授），使您可以：(i) 出于操作产品之目的而使用产品内含的软件；(ii) 在有效期内，在您拥有或控制的任何个人计算机上使用软件的桌面应用程序部分。不得将软件传输到任何其他计算机或将软件从产品中移除。不管 Sonos 在本协议中授予任何许可证，您都承认并同意，您对于自身在使用软件过程中遵守美国及国际版权法的情况负全部责任。

(b) 您同意不在适用的强制性法律禁止的情况下对产品进行复制、修改、反向工程、反编译或反汇编。除本协议授予的有限许可外，Sonos 及其供应商对软件内含的全球范围适用的知识产权保留所有权利。Sonos 保留所有其他权利。您承认并同意，产品所含和用于创造产品的技术是极具价值的商业秘密，且是 Sonos 的专有技术，您不会向任何第三方披露您所掌握的此类商业秘密。

(c) Sonos 没有义务提供任何产品的更新或升级服务，但如果有提供，此类更新、升级以及所有文档均应被视为“产品”，且应受本协议的条款和条件限制。

2. 协议条款

(a) 您只需通知 Sonos、停止使用产品并从计算机中将软件清除，便可以随时终止本协议。

(b) 如果您违反本协议中的第 1 条和 / 或第 3 条，本协议将自动终止。

(c) 因任何原因终止本协议或协议期满后，第 1(b)、2(c)、3、6(c)、7 和 9 条仍继续有效。

3. 遵守版权法

Sonos 一贯遵守美国及国际版权法，鉴于本协议授予的许可证，您也同意遵守这些法律。您承认，这些版权法禁止未经授权复制或发布音乐或其他使用产品访问的内容（以下简称“内容”），且您同意未经版权所有者的书面授权，不会直接或间接复制或发布任何内容。此外，您也同意依照第 3 部分条款的规定向 Sonos 或其许可方赔偿由 Sonos 或其许可方引起或与您的失误相关的所有损失、损坏、债务和费用。

4. SONOS 隐私政策

Sonos 产品的使用受 Sonos 隐私政策限制，该隐私政策被引入作为本协议的一部分，详情请浏览 www.sonos.com/legal/privacy.policy.htm。Sonos 隐私政策概括了 Sonos 可以从您那里收集的信息类型及其对这些信息所具有的使用权限。您务必要阅读并理解该隐私政策的条款。

5. 第三方内容和技术支持

Sonos 有时会通过产品向第三方内容供应商提供访问权限。此外，Sonos 也可能支持某些第三方技术，如特定文件格式或编解码器。在任何时候、任何情况下，Sonos 均保留对停止访问和 / 或支持此类第三方内容或技术的权利。在选择或继续支持任何此类第三方内容或技术方面，Sonos 不作任何声明或保证。

6. 保修和免责声明

(a) **有限保修。** Sonos 向您保证，自购买产品之日起一年内，凡由于生产材料和制造工艺引起的质量缺陷均予以免费保修。SONOS 不保证产品在工作过程中不会中断或无错误，也不保证所有错误都可以修正。如果您是用户，本保修是在您的法定权利基础之上补充提供的，并不影响您的法定权利。除第 6(c) 条规定以及与您任何强制性消费者权益保护法有抵触外，Sonos 将决定其唯一责任以及您的唯一补救措施为维修或更换产品。如果上述两种措施均不适用，将会退还您支付金额的一部分，因为您已经使用过产品。

(b) **限制。** 上述保证不适用于由于以下原因导致的产品问题：(i) 未成功实施 Sonos 提供的产品错误修复或错误修正；(ii) 以未经本协议规定或授权的方式使用该产品；或 (iii) 将该产品与其他产品，以及非 Sonos 提供且不符合 Sonos 文档规定的硬件或产品一同使用。

(c) **免责声明。** 除上述明确规定外，Sonos 不对产品作出任何明示、暗示或法定保证。Sonos 及其供应商在此特别声明，拒绝承担所有其他明示、法定和暗示的保证和条款，包括适销性、特定使用的适用性、不侵犯性以及满意质量的隐含条件等暗示保证。除第 6(a) 条明确规定外，产品均“按原样”提供，不附带任何保证。您对于有目的性的产品选择、安装和使用负有全部责任。**某些司法管辖区不允许限制暗示保证，因此上述免责声明可能对您（尤其当您为用户时）不适用。** 在您所在司法管辖区的法律范围内，任何情况下，您所在司法管辖区的法律允许的所有暗示保证均遵守上述有限保修分条款 (a) 中的规定，在一年之内有效。此条目受限于中国强制性法律规定。

7. 责任限制

(a) 在法律允许的最大范围内，任何情况下，Sonos 及其供应商均有义务承担任何附带损害、特殊损害、间接损害、惩罚性损失赔偿或间接损害，包括但不限于任何原因引起的和基于所有责任理论的弥补费用、数据丢失、利润损失、业务中断、商业信息丢失，或由于使用（或无法使用）产品而引起的其他经济损失。

(b) 除法律另有规定外，任何情况下，Sonos 对一个或多个原因导致的所有损害的赔偿总额不得超过您为该产品支付的金额。

(c) 即使您曾经提醒 Sonos、其供应商或经销商可能会发生此类损失或告知要使用的方式，第 7 条中的限制仍适用。这些限制也同样适用于未达到任何有限补救措施的实质目的的情况。这些限制反映了对风险的合理分配。

(d) 第 7 条中的限制不适用于因 Sonos 一方故意或者重大过失所造成的损失。第 7 条中的限制也不适用于因 Sonos、其主管或任何第三方因故意、重大过失或未履行合同约定义务而引起的人身伤亡所造成的损失。对于产品责任，第 7 条中的限制仅适用于与产品责任有关的强制性规则允许的范围。

(e) 第 7 条中的限制不会对您作为用户所拥有的法定权利造成影响。

8. 侵权赔偿

(a) **赔偿。**如果您依照本协议规定和授权指控产品的任何部分侵犯了任何第三方的版权或侵占了该第三方的商业秘密，则只要发生以下情形，Sonos 均应对您提出的索赔、要求、诉讼或申诉（“索赔”）进行辩护或处理：(i) 及时向 Sonos 提出了索赔书面通知；(ii) 给予 Sonos 控制和安排辩护和处理索赔的排他权利；(iii) 向 Sonos 提供所有与索赔相关的必要信息和协助，相关费用由 Sonos 承担（但不补偿您损失的宝贵时间）。Sonos 应支付由此类索赔引致的所有理赔金额、损失和费用。您自行承担参与索赔辩护的费用。Sonos 无须承担任何未经事先书面规定的费用。

(b) **赔偿限制。**尽管有上述规定，但发生以下情形时，Sonos 概不对索赔负责：(i) Sonos 书面通知您如果继续使用该产品将可能产生此诉讼风险超过三十 (30) 天后，您仍可继续使用产品，并扣除部分折旧费后退还您购买产品的费用，以作为您停止使用所有产品的补偿；(ii) 将产品或其中任何部件与其他非 Sonos 生产的硬件或产品配合使用（如果该产品从未这样配合使用，索赔事件应避免这种情况发生）；或 (iii) 未经本协议授权使用该产品。

(c) **全部责任。**关于产品任何实际或被指控侵权或侵占知识产权方面，上述第 8 条规定列出了 Sonos 的全部责任和义务以及您的唯一补救措施。

9. 其他

您确认该产品受购买产品时相关出口管制法律法规的限制，并承诺将遵守所有相关的法律法规。本协议应受中国法律管辖，但不适用于与其冲突的法律规定。《联合国国际货物销售合同公约》不适用于本协议。本协议包含了您与 Sonos 就相关主题事件达成一致的所有条款，取代所有之前此处未明确规定的口头或书面说明、沟通或协议。如根据司法法令或决议，本协议任何条款经发现为无效或无强制力时，则依照其条款规定，本协议的其他条款仍有效且具有约束力。未经 Sonos 书面同意前，无论是否依照法律，均不得转让本协议或本协议下的任何权利或义务。如果您是用户，不得无理拒绝此书面同意。任何试图不经事先书面同意的转让行为均为无效。

根据《中华人民共和国产品质量法》、《中华人民共和国消费者权益保护法》及有关规定，本产品符合中国电子产品三包政策。如对本协议有任何疑问，请发送电子邮件至 support@sonos.com。

(معلومات مهمة للسلامة) العربية

تنبيه: خطاف الجدار هذا مخصص فقط للاستخدام مع Sonos Move. وقد يؤدي استخدامه مع أي أجهزة أخرى إلى عدم ثبات تلك الأجهزة مما يسبب حدوث إصابات.

Važne sigurnosne informacije (Hrvatski)

Oprez: Ovaj je zidni nosač namijenjen za uporabu isključivo sa zvučnikom Sonos Move. Njegova uporaba s drugom opremom može dovesti do nestabilnosti i izazvati ozljedu.

Důležité informace o bezpečnosti (Čeština)

Upozornění: Tento nástěnný hák je určen pouze pro použití se Sonos Move. Použití s jakýmkoli jiným zařízením může způsobit zranění způsobené nestabilitou.

Vigtig sikkerhedsinformation (Dansk)

Advarsel: Dette vægbeslag er kun egnet til brug sammen med Sonos Move. Brug af andet udstyr kan resultere i ustabilitet, som kan forårsage skade.

Belangrijke veiligheidsinformatie (Nederlands)

Let op: Deze muurhaak is alleen bedoeld voor gebruik in combinatie met Move. Wanneer hij wordt gebruikt voor andere apparatuur, kan dit resulteren in een gebrek aan stabiliteit en letsel veroorzaken.

Important Safety Information (English)

Caution: This mount is intended only for use with Sonos Move. Use with other equipment may result in instability causing injury.

Oluline ohutusalaane informatsioon (Eesti keel)

Ettevaatus: see seinakonks on kasutamiseks ainult seadmega Sonos Move. Kasutamine teiste seadmetega võib põhjustada ebastabiilsuse ja viia vigastusteni.

Tärkeitä turvallisuustietoja (Suomi)

Huomio: Tämä seinäkoukku on tarkoitettu käytettäväksi vain Sonos Moven kanssa. Muiden laitteiden kanssa käytettäessä koukku ei välttämättä toimi kunnolla, mikä voi johtaa tapaturmaan.

Informations importantes relatives à la sécurité (Français)

Attention : cette fixation murale ne doit être utilisée qu'avec le Sonos Move. Toute utilisation avec un autre équipement risque d'entraîner une instabilité et potentiellement des blessures.

Wichtige Sicherheitsinformationen (Deutsch)

Achtung: Dieser Wandhaken wurde ausschließlich für den Sonos Move entwickelt. Eine Nutzung mit anderen Geräten kann zu einem schlechten Halt und somit zu Verletzungen führen.

Σημαντικές πληροφορίες για την ασφάλειά σας (Ελληνικά)

Προσοχή: Αυτό το άγκιστρο τοίχου προορίζεται μόνο για χρήση με το Sonos Move. Η χρήση με άλλο εξοπλισμό μπορεί να οδηγήσει σε αστάθεια που προκαλεί τραυματισμό.

Fontos biztonsági információk (Magyar)

Vigyázat: A fali kampó kizárólag Sonos Move-val való használatra készült. Ha más berendezéssel használja, az sérüléshez vezető instabilitást eredményezhet.

Informazioni importanti per la sicurezza (Italiano)

Attenzione: questo gancio da parete è destinato esclusivamente all'uso con Sonos Move. Un uso con altre apparecchiature potrebbe renderlo instabile e causare lesioni.

重要な安全上の情報（日本語）

注意：この壁掛け用フックは Sonos Move 専用です。他の機器で使用すると不安定になり、けがにつながる恐れがあります。

Svarīga drošības informācija (Latviski)

Uzmanību! Šis sienas āķis ir paredzēts lietošanai tikai ar Sonos Move. Lietošana kopā ar citu aprīkojumu var radīt nestabilitāti, izraisot traumu.

Svarbi saugos informacija (Lietuvių k.)

Perspėjimas: šis sieninis kablys skirtas naudoti tik su „Sonos Move“. Naudojant jį su kita įranga, ši gali būti nestabili ir sukelti sužalojimą.

Informazzjoni Importanti dwar is-Sigurtà (Malti)

Attenzjoni: Dan il-ganċ tal-ħajt huwa għall-użu ma' Sonos Move biss. L-użu ma' tagħmir iehor jista' jirriżulta f'instabbiltà li tista' tikkawża korrimjent.

Viktig sikkerhetsinformasjon (Norsk)

Forsiktig: Denne veggkroken er bare beregnet til bruk med Sonos Move. Hvis den brukes med andre produkter, kan det føre til ustabilitet med fare for personskaade.

Ważne informacje dotyczące bezpieczeństwa (Polski)

Uwaga: Ten uchwyt ścienny jest przeznaczony wyłącznie do użytku z Sonos Move. Użytkowanie uchwyty w połączeniu z innym sprzętem może doprowadzić do urazu spowodowanego brakiem stabilności.

Informações importantes sobre segurança (Português)

Cuidado: este gancho de parede é exclusivo do Sonos Move. O uso com outros equipamentos pode resultar em instabilidade e causar ferimentos.

Informații Importante pentru Siguranță (Română)

Atenție: acest cârlig de perete este destinat doar utilizării cu Sonos Move. Utilizarea cu alte echipamente poate duce la instabilitate, cauzând vătămări.

Важная информация по технике безопасности (русский)

Осторожно: настенный крюк предназначен только для использования с Sonos Move. Использование крюка с другим оборудованием может привести к неустойчивому креплению оборудования и травмам.

重要安全信息（简体中文）

小心：此墙壁挂钩仅适用于 Sonos Move。与其他设备搭配使用可能会导致不稳定，进而引起受伤。

Dôležité bezpečnostné informácie (Slovensky)

Upozornenie: Tento nástenný háčik je určený pre reproduktor Sonos Move. Jeho použitie s inými zariadeniami môže viesť k nestabilite a byť dôvodom úrazu.

Pomembne informacije za varnost (Slovenščina)

Pozor: To stensko držalo je namenjeno le za zvočnike Sonos Move. Uporaba skupaj z drugo opremo lahko povzroči nestabilnost, kar lahko privede do poškodb.

Información de seguridad importante (Español)

Advertencia: este gancho de pared está diseñado únicamente para usar con Sonos Move. Si utilizas otros herrajes, el dispositivo no quedaría estable y podría estropearse. Viktig säkerhetsinformation

Viktig säkerhetsinformation (Svenska)

Varning: Den här väggkroken är enbart avsedd för användning med Sonos Move. Användning med annan utrustning kan leda till instabilitet och orsaka personskada.

Önemli Güvenlik Bilgileri (Türkçe)

Uyarı: Bu duvar kancası sadece Sonos Move ile birlikte kullanılmak için tasarlanmıştır. Başka ekipman kullanılması dengesizlikle sonuçlanarak yaralanmaya yol açabilir.



640-00669 Rev A

Sonos, Inc.

www.sonos.com